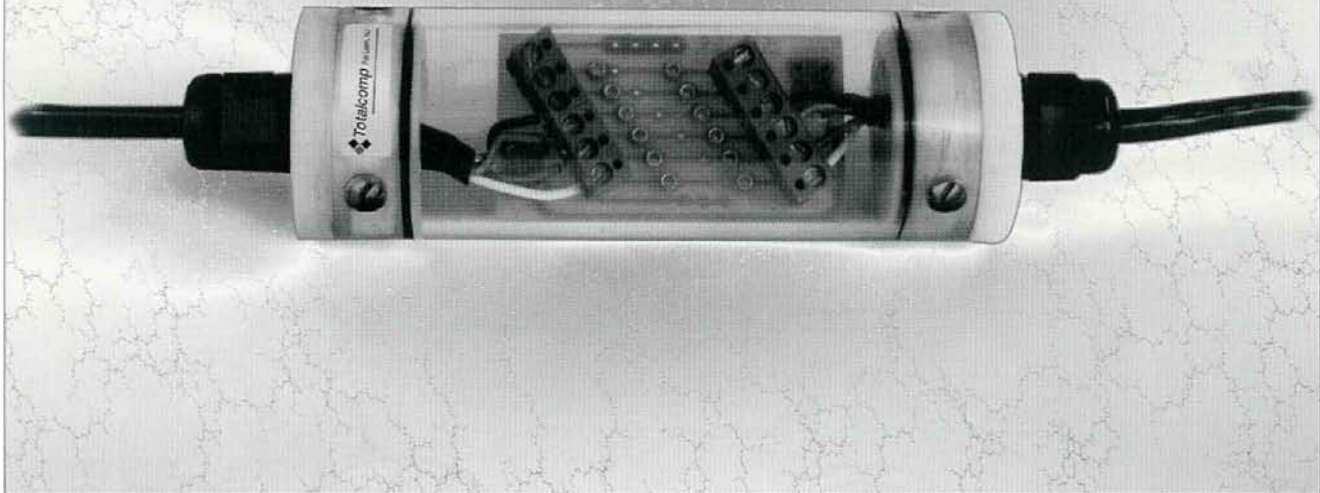


SPLICE KIT ASSEMBLY

Totalcomp's TSK Splice Kit Assembly



Universal weathertight splice kit for indoor or outdoor use

- ✓ Standard choice of splicing by terminal block or solder post.
- ✓ NEMA 4 polyethylene housing.
- ✓ Forms a complete weathertight seal.
- ✓ For use with 4 or 6 conductor cable.
- ✓ Accommodates cable from .18 to .31 dia. - wire sizes 20 - 26 awg.

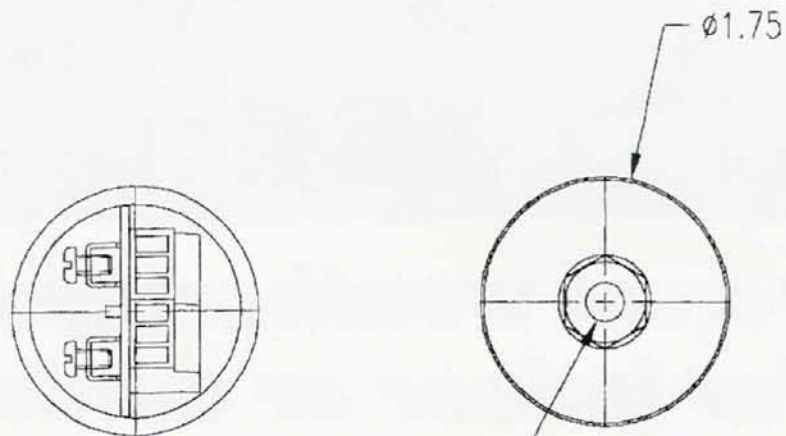
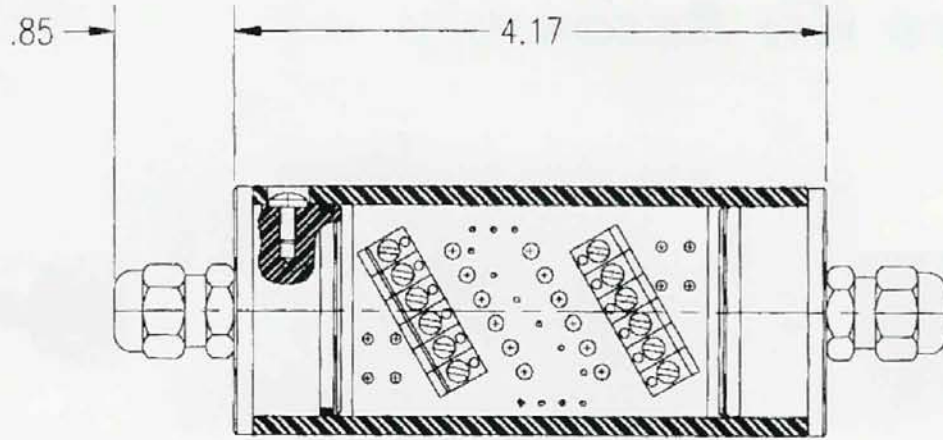


Totalcomp

Scales & Components

SPECIFICATIONS

TSK Splice Kit



ACCOMMODATES CABLES
FROM .18 TO .31 DIA
WIRE SIZE 20 AWG TO 26 AWG

TOTALCOMP LIMITED WARRANTY

Totalcomp warrants this products to be free of defects in materials and/or workmanship and suitable for the purpose(s) intended as outlined on this sheet. This warranty is effective and shall cover the purchaser for one year from the date of shipment from our plant. If this product is found to be defective by our inspection in accordance with the above listed criteria, we will replace or repair it at our expense. For warranty service, please obtain a return authorization number from us and return the item, shipping prepaid, with a written description of the problem. We will respond promptly with the results of our evaluation.